

# KR-1/RM-1

Auto Kerato-Refractometer  
Auto Refractometer



# Fully automated Easy-to-use Kerato-Refractometer/ Refractometer



## Overview



**Automated  
Kerato-Refractometer/  
Refractometer**



**Rotary Prism  
Technology**



**Full 360° rotating monitor**  
allows operator to  
maintain distance from patient



Small footprint.  
**Space Saving**



**Patient Friendly**



**Easy to use**

## KR-1/RM-1

The Topcon KR-1/RM-1 is a modern, automated, easy-to-use kerato-refractometer/refractometer.

Controlled from the color touchscreen and incorporating Topcon's Rotary Prism technology.



# Automatic Workflow



## Simple Operation

Simply touch the center of the pupil on the touchscreen control panel, and the KR-1/RM-1 automatically captures right then left eye information. The KR-1/RM-1 provides an innovative operator experience.



Touch the pupil image on the screen for auto-alignment



Automatic capture and R/L movement



Data displayed with option to transfer and/or print



## Easy-to-Use Color Touchscreen Control Panel

All operating procedures can be performed with the touchscreen control panel. The optimized user interface provides an intuitive operator experience. The KR-1/RM-1 rapidly captures data from the right eye before moving automatically to capture the left eye. An easy-to-use manual capture option is also available, featuring manual focus coupled with auto-alignment.



# Flexible and Space Saving Layout

The control panel can be rotated in any direction. The compact device enables the operator to support the patient easily during measurement, even if the patient's eyelid needs to be lifted. These unique aspects will contribute to space saving and flexible layout in your eye examination room.



Operation from  
the front  
(Seating)



Operation from  
the front  
(Standing)



Operation from  
the side



Operation from  
the patient's side

## Compact Ergonomic Design

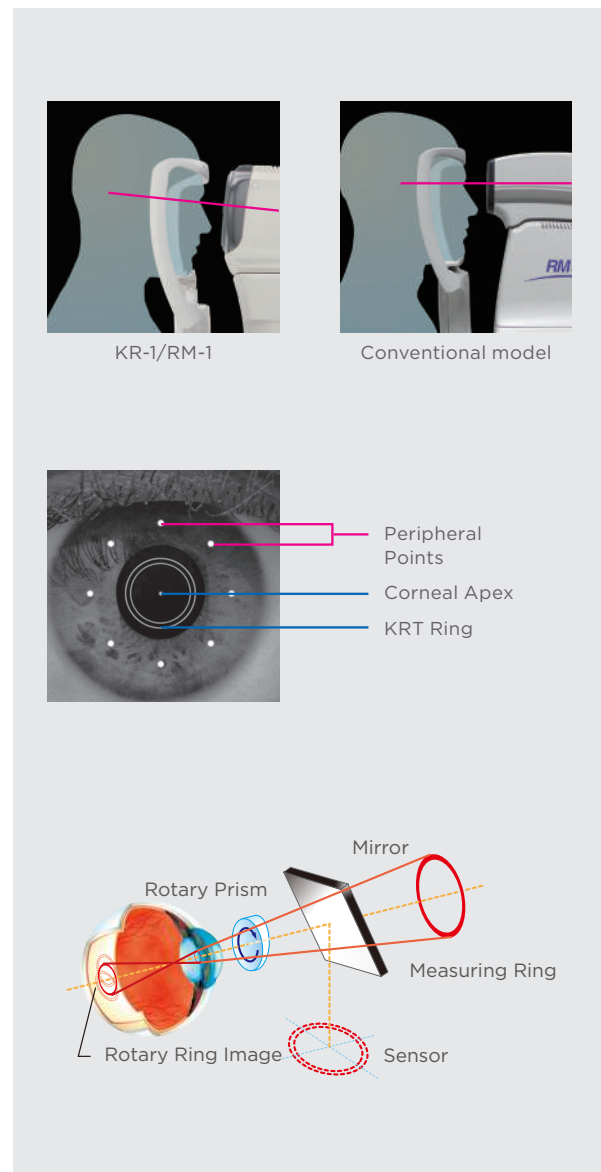
The KR-1/RM-1's ergonomic design provides a more comfortable position for the patient with an inclined optical head (5°). The compact instrument enables easier access for patients.

## Peripheral KRT\*

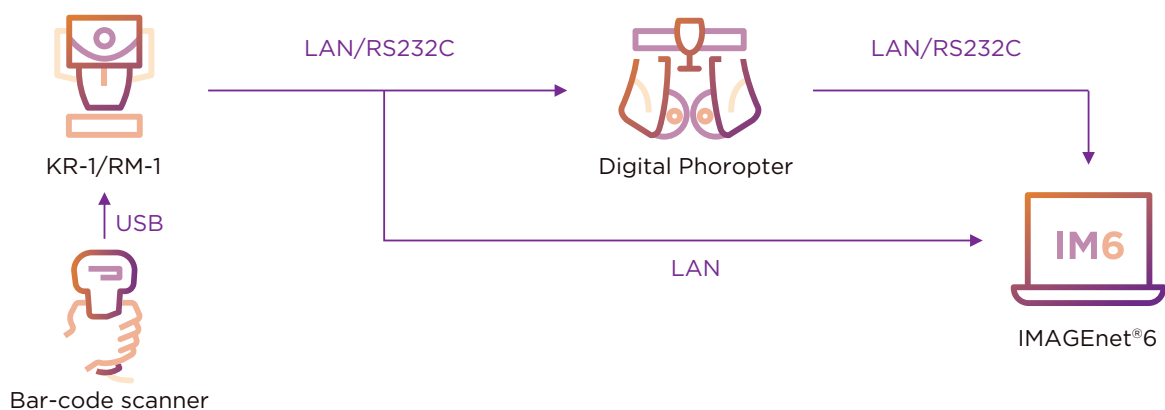
The KR-1 allows the operator to capture 8 peripheral corneal curvature measurements in addition to the central data. \*KR-1 only.

## Topcon's Rotary Prism Measuring System

With Topcon's Rotary Prism Technology, the KR-1/RM-1 provides stable measurement. The unique, eccentric rotation of the measurement ring, is designed to reduce the artifact from the fundus.



## System Chart



# Specification of KR-1/RM-1

<b>Refractive Power Measurement</b>	Spherical refractive power: -25D to +22D (0.12D/0.25D steps)* <sup>1</sup>
	Cylindrical refractive power: 0D to ±10D (0.12D/0.25D steps)* <sup>1</sup>
	Direction of cylindrical axis: 0° to 180° (1°/ 5°steps)
	Measured minimum pupil diameter: φ 2 mm
<b>Corneal Curvature Measurement*<sup>2</sup></b>	Corneal curvature radius: 5.00mm to 10.00 mm (0.01mm step)
	Corneal refractive power: 67.50D to 33.75D (0.12D/0.25D steps) (keratometric corneal refractive index = 1.3375)
	Direction of corneal cylindrical axis: 0° to 180°(1°/ 5° steps)
	Corneal cylindrical power: 0D to ±10D (0.12D/0.25D steps)
<b>PD Measurement Range</b>	20mm to 85mm (1mm step)
<b>Data Transport Terminal</b>	USB (Import), RS-232C (Export), LAN (Export)
<b>Dimensions</b>	286-326mm (W) × 445-526mm (D) × 466-615 mm (H)
<b>Weight</b>	19kg
<b>Power Supply</b>	100-240V AC, 50-60Hz, 75VA

\*<sup>1</sup> -25D ≤ spherical refractive power + cylindrical refractive power and spherical refractive power + cylindrical refractive power ≤ +22D

\*<sup>2</sup> The function is not available for RM-1.

**IMPORTANT** In order to obtain the best results with this instrument, please be sure to review all user instructions prior to operation. Not all products, services, or offers are available in all markets. Contact your local distributor for country-specific information and availability.

**TOPCON INSTRUMENTS ( MALAYSIA ) SDN. BHD.**  
**(Regional Office for Topcon Healthcare Southeast Asia)**  
 Unit 2, 4, Jalan Pensyarah U1/28, Hicom-glenmarie Industrial Park,  
 40150 Shah Alam, Selangor, MALAYSIA  
 Phone: +603-766 16260 Fax: +603-766 16261  
 Email: mys\_tim\_marketing\_sm@topcon.com  
 www.topconhealthcare.my

**TOPCON SINGAPORE MEDICAL PTE. LTD.**  
 100G Pasir Panjang Road, #02-18, Interlocal Centre,  
 SINGAPORE 118523  
 Phone: +65-68720606 Fax: +65-67736150  
 E-mail: med.sales.sg@topcon.com  
 www.topconhealthcare.sg

**TOPCON INSTRUMENTS ( THAILAND ) CO., LTD.**  
 77/162 Sinnsathorn Tower, 37th Floor, Krungthoburi Rd.,  
 Klongtongsai, Klongsarn, Bangkok 10600, THAILAND  
 Phone : +66-02-440-1152 Fax : +66-02-440-1158  
 Email : tha\_medical@topcon.com  
 www.eyecare.topcon.co.th

**MEHRA EYETECH PRIVATE LIMITED**  
 801 B Wing, Lotus Corporate Park, Graham Firth Steel Compound  
 Goregaon (East) Mumbai 400063 Maharashtra, INDIA  
 Phone: +91-22-61285455  
 E-mail: sales@mehraeyetech.in  
 www.topconhealthcare.in

**TOPCON (BEIJING) MEDICAL TECHNOLOGY CO., LTD.**  
 Room 2808, Tower C, JinChangAn Building, No.82, Middle Section of  
 East 4th Ring Road, Chaoyang District, Beijing 100124, P.R. CHINA  
 Phone: +86-10-8794-5176  
 E-mail: cn\_marketing@topcon.com  
 www.topcon-china.net/

**TOPCON KOREA MEDICAL CO., LTD.**  
 2F YK Building, 205, Dogok-ro, Gangnam-gu,  
 Seoul, Republic of Korea  
 Phone : +82-2-6959-7947  
 E-mail:tkm@topcon.com  
 www.topconhealthcare.kr/



**TOPCON CORPORATION**  
 75-1 Hasunuma-cho, Itabashi-ku, Tokyo 174-8580, JAPAN.  
 Phone: +81-(0)3-3558-2522/2502  
 Fax: +81-(0)3-3965-6898  
 www.topconhealthcare.jp

